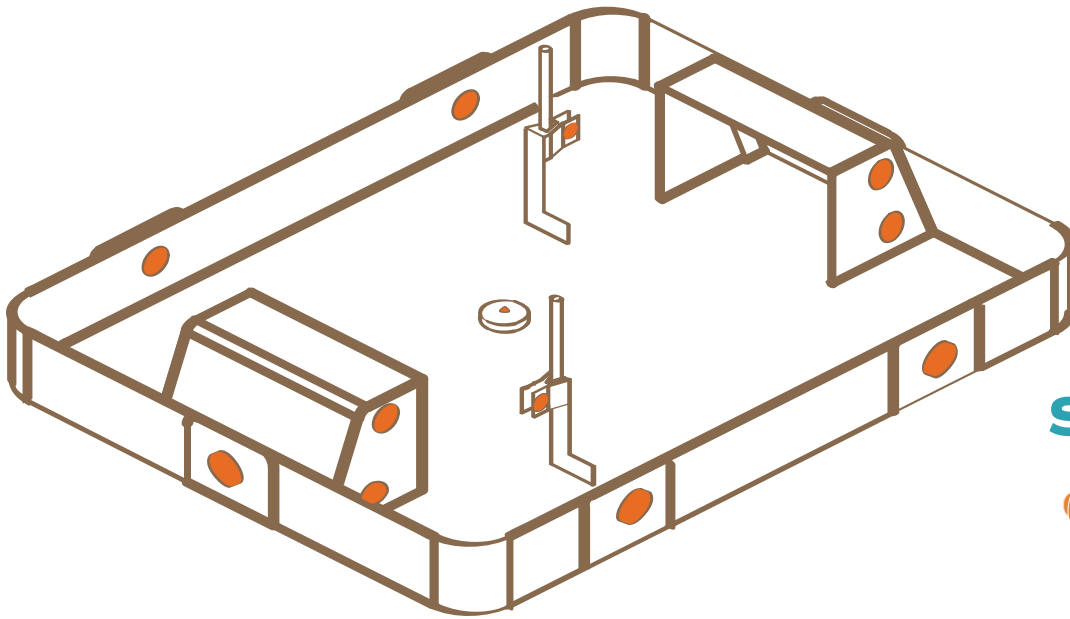
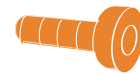


TABS AND WALLS

SPORTS ARENA



SUPPLIES



8 bolts

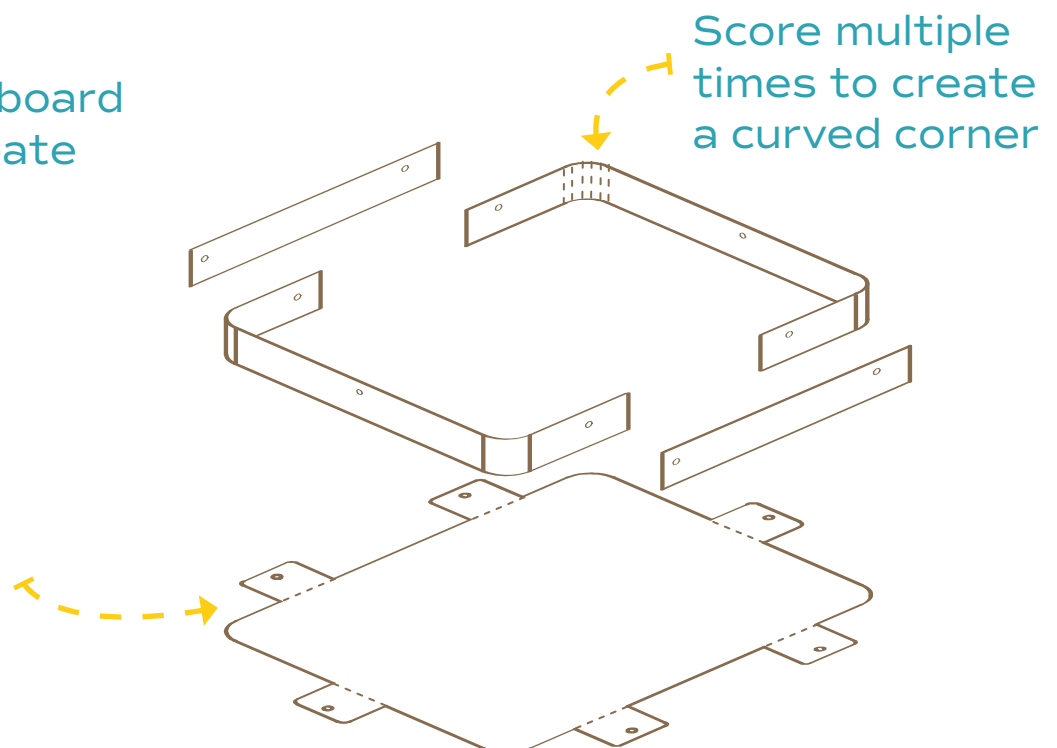


8 nuts

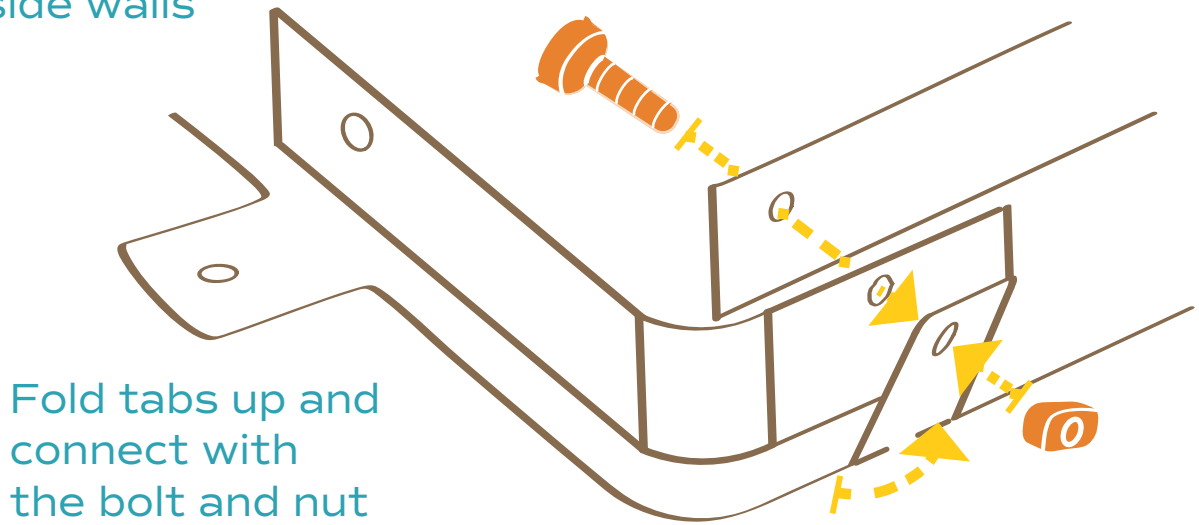
STEPS:

1. Cut out cardboard pieces to create the arena

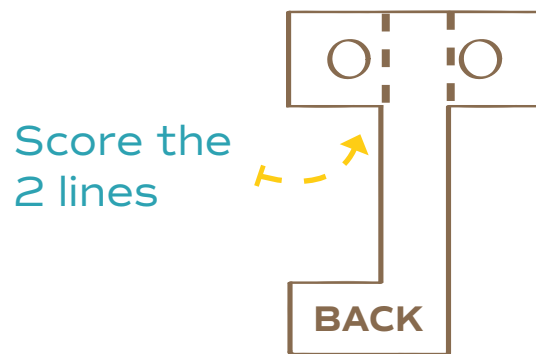
Score along the tab lines on the bottom cardboard piece



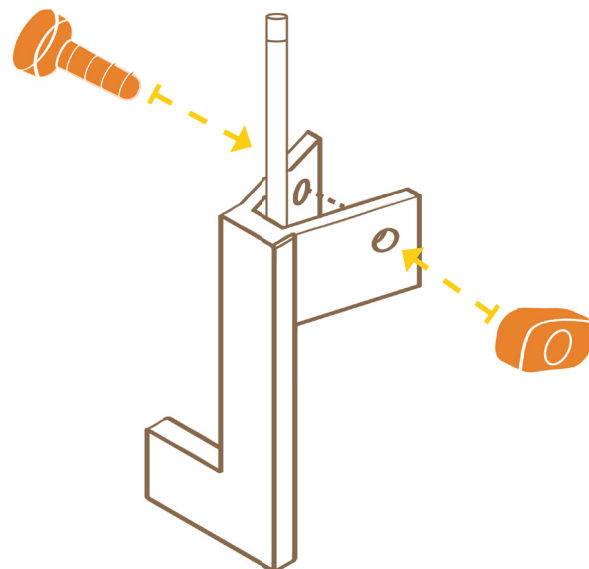
2. Connect the tabs from the bottom piece to the side walls



3. Cut out the sport's sticks



4. Connect to the pencil with the bolt and nut



www.crexo.com/swift

©2026 Swift Cardboard Creations. All rights reserved.

